

Super-Thin Palm Top UV Irradiance Meter

# UIT-0365

Super-Thin Palm Top UV Irradiance Meter

Wireless, and simplified to the maximum extent possible

## Features |

1. Palm-top size, less than 4.9 mm thick
2. Optimum for irradiance management in UV coating on an optical film and UV bonding of lenses
3. Allows efficient absorption of diagonally incident light  
Ensures high accuracy and repeatability of measured values even when measuring the irradiance of dispersive continuous light
4. Enables measured data to be easily interchanged with other irradiance meters as well as correction of an instrumental error
5. Use of a secondary battery allows repetitive charging and use
6. A sampling rate up to 100 Hz is selectable (during continuous measurement 20 minutes) to allow sampling of detailed data for a maximum of even on a high-speed production line
7. No wiring is needed in data logging or offline measurement mode, thus it can anywhere for measurement including a narrow area in which other irradiance be placed on meters cannot be placed.

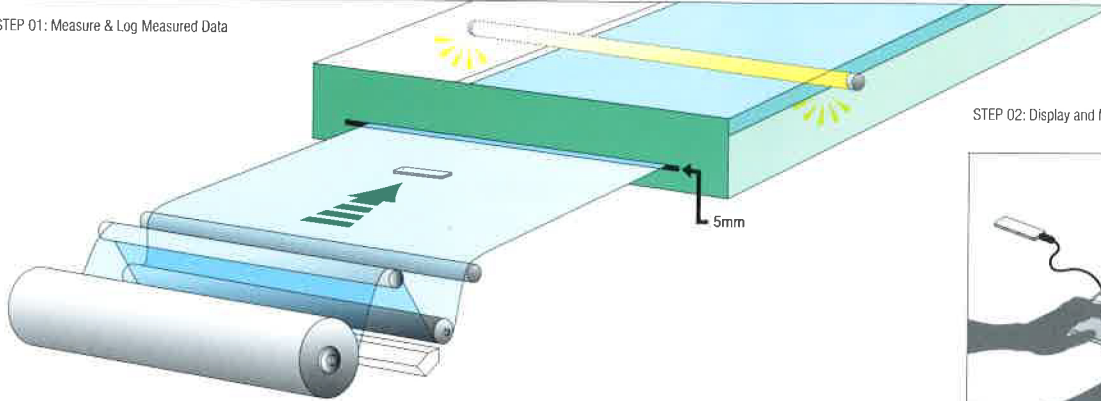


# Major Applications

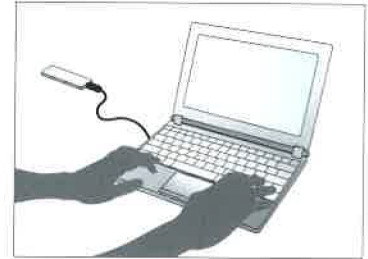
## Measure & Log Measured Data

Measurement of UV Irradiance on Optical Film

STEP 01: Measure & Log Measured Data



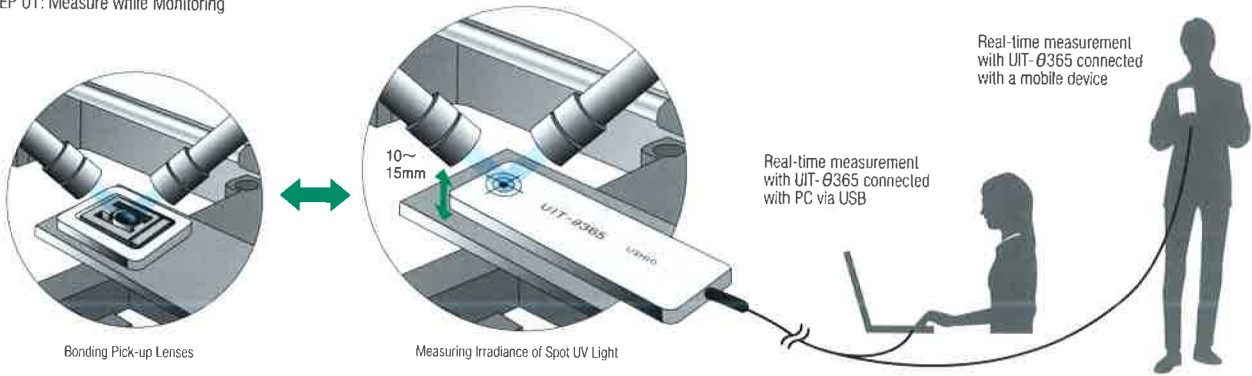
STEP 02: Display and Manipulate Measured Data



## Measure Real-time

Measure the Irradiance of Spot UV Light for Bonding Pick-up Lenses

STEP 01: Measure while Monitoring



## Specifications

Models	UIT-0365	Models	UIT-0365		
Functions	Off-Line Measurement / On-Line Measurement / Sleep (Electric Power Saving)	Spectral Response (Typical Value)			
Sampling Rate	100/32/10 (to be selected by the dedicated software)				
Max No. of Recorded Data Samples	120,000 (for a maximum operation time of 20 minutes at the sampling rate of 100 Hz)				
Interface	Micro USB (Type B) interface conforming to the USB 1.1 standard				
Power	Online measurement: USB bus power Offline measurement: Lithium Secondary Battery *1				
Possible Battery Operation Time	Approx. 1.5 hours *2				
Dimensions	90 (91) x 25 x 4.9 The parenthesized length of 91 mm indicates the UIT-0365 meter when enclosed with a USB cover.			Angular Dependence (値) (Typical Value)	
Weight	Approx. 25				
Spectral Sensitivity	345~385				
Absolute-value Calibration Wavelength	365				
Calibration Accuracy	±5				
Detector Diameter	φ3				
Non-linearity	Within ±1				
Operating Temperature Range (Detector Temperature)	0 to 50 (The temperature of Light Receiving Equipment.)				
Irradiance Measurement Range	0~9999 <sup>*3</sup>				
Accumulated Light Amount Measurement Range	0~11,998,800				

\*1 The battery is incorporated into the main unit and is recharged while connected to a PC via USB. It cannot be recharged if either the battery or its charging system has failed, but will begin recharging when the failure has been repaired.

\*2 This value is computed when the battery is brand new and fully charged. Therefore, it may not be guaranteed under any condition.

\*3 Heat Shield Cover (Option)

### Specifications of UIT-0365 Dedicated Application Program "Photometer"

Operation System	Windows (XP <sup>*1</sup> /Vista/7 <sup>*2</sup> )
------------------	--

\*1 On and after SP3 \*2 Currently for 32-bit CPU only. The application for 64-bit CPU is currently under development.