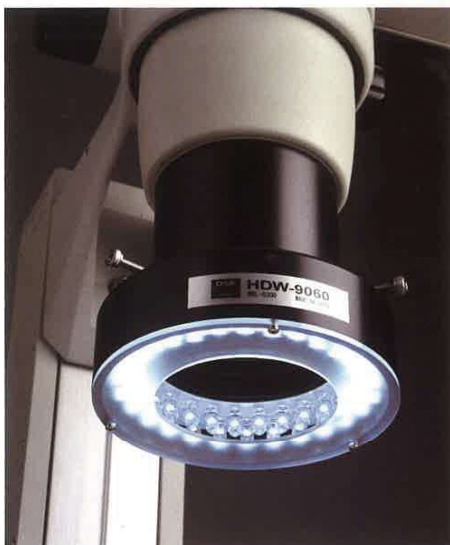


LED Ring Illuminator for Stereomicroscope HDW Series

Features



- White LED 54 pcs.
- Input voltage :
Available in "AC100~240V" model
- Fits major brands of stereomicroscopes such as NIKON and OLYMPUS.
- Easy mounting with three set screws.
- Available with 2 sizes
(head dimension) : inner dia : 55mmφ
inner dia : 60mmφ
attachable without ring adapter.
- Natural color temperature reduces glare.
- Equipped with stabilized power supply, suited for inspectional application that requires long hours for testing.
- Ideal for image processing by PC.
- Long-life: 20000 hours.
- Diffuser is removable.
- Light control :
100~0% by volume
- Provides stabilized lighting.

Specification



● Light head

LED chip mounted Ring light		
Ordering code	HDW-9055	HDW-9060
Mounting diameter	34~55mmφ	40~60mmφ
Optimum working distance	60~150mm	
Color temperature	8000K	
Lamp-life	20000 hours approx (half-life)	
Maximum input voltage / wattage	DC12V / 3.8W	
Weight	120g	
Outer measurement	outer 90mm inner 55mm	outer 90mm inner 60mm

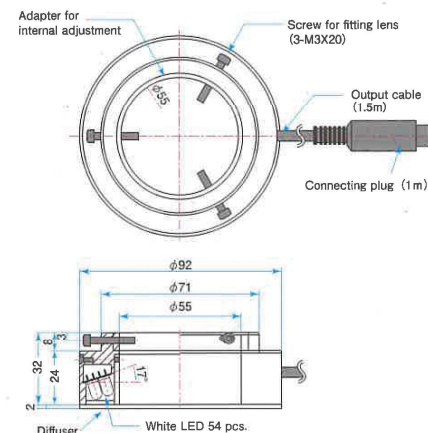


● Power supply

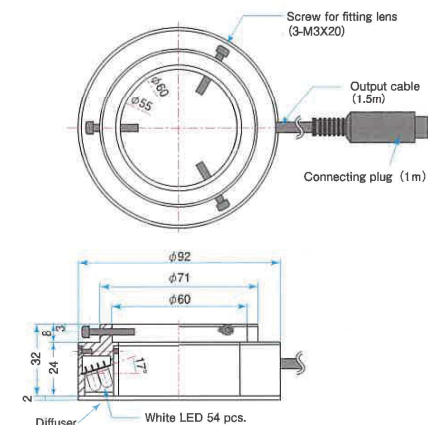
PS09A-SI-UNI	
Input voltage	AC100V~240V
Wattage capacity	10W
Lighting system	DC constant-current system
Range of dimming	100~0%
Weight	800g
Outer measurement	55x70x141mm

Dimension

HDW-9055



HDW-9060



PS09A-SI-UNI

